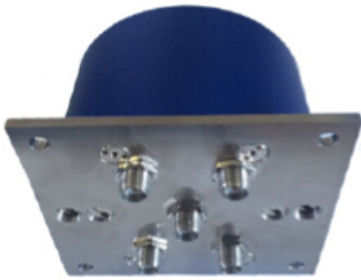




UNIVERSAL COOPERATE LTD.

Model: UCL-CW-06-Aseries

SP6T Coaxial Switch



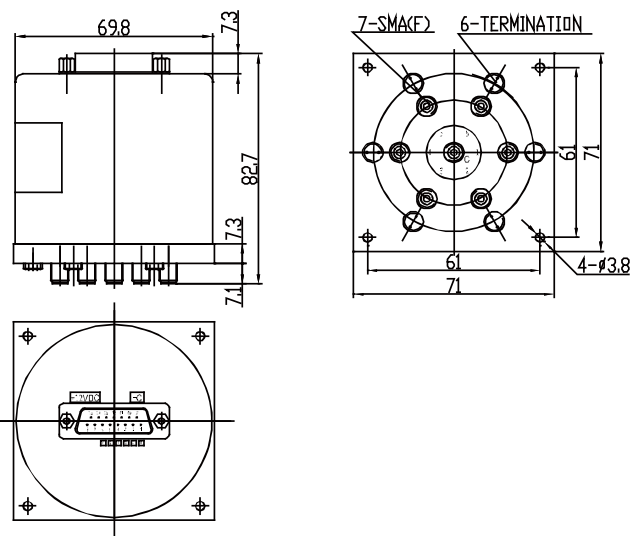
RF Characteristics

Frequency (GHz)	VSWR	Isolation (dB)	Ins. Loss (dB)
0~2	1.15	90	0.2
2~4	1.2	80	0.2
4~8	1.3	75	0.3
8~12	1.4	70	0.4
12~18	1.5	60	0.5

Specifications

- Operating Voltage : DC12V, 28V
- Operating Current : 400mA
- Switch Time : ≤20ms
- Operating Tem. : -40° C~+85° C
- Storage Tem. : -55° C~+85° C
- Mechanical Life : ≥10⁶
- Drive Voltage : 4~5V
- Drive Current : 0.02~0.8mA
- Impedance : 50Ω

Mechanical

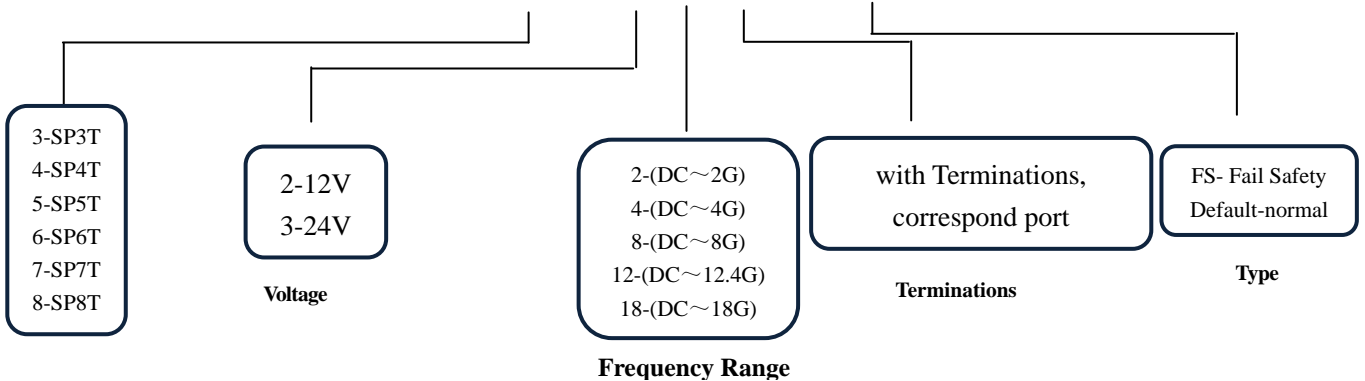


Model Number	Connector Type	Dimensions (mm)	Weight (Kg)
UCL-CW-06-A-F-2/4-D1	SMA	71×71×71	400
UCL-CW-06-A-F-2/4-D2	N	71×71×71	400
UCL-CW-06-F-2/4-1	SMA	71×71×71	400
UCL-CW-06-A-F-2/4-6T	SMA	71×71×71	400
UCL-CW-06-A-F-2/4-6C	SMA		

UCL-CW-06-A-F-2/4-D1 Shown

Model Number Selection

UCL-CW-06-A-F-□-□-□T-D2-□



Example:

UCL-CW-06-A-F-2-4-D1 means SP6T latching coaxial switch with operating voltage 28V,connector type SMA,with 6 termination.

* Dimensions Tolerance ±2%
 ** Custom designs available.